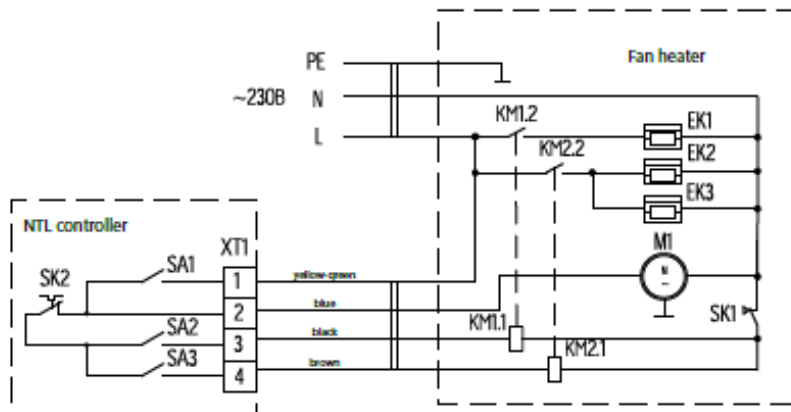


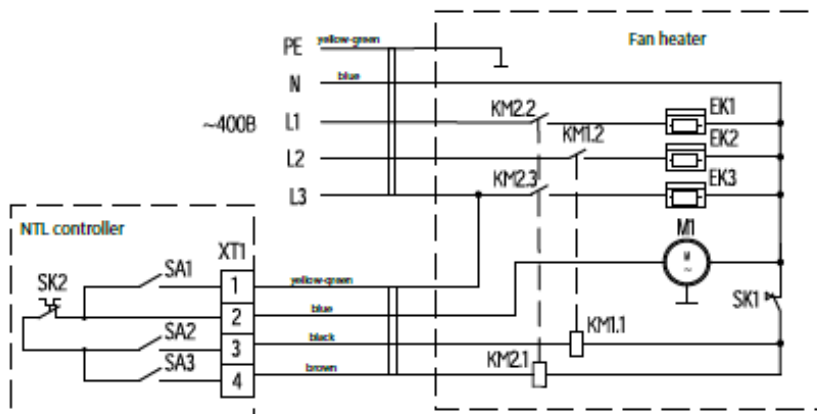
Wimpel varmluftsvifter MW-serien Koblingskjemaer

MW 230V 4,5kW



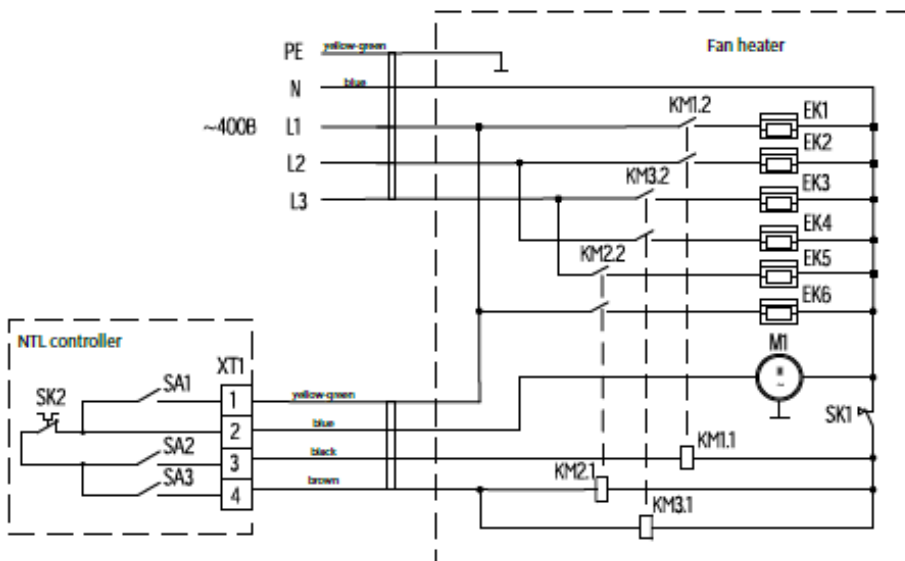
EK1, EK2, EK3 - electric heater
 KM1, KM2 - electromagnetic relay
 M1 - electric motor
 SK1 - safety thermostat
 XT1 - terminal block
 SA1 - mains switch
 SA2, SA3 - heating mode switches
 SK2 - adjustment thermostat

MW 400V 9W



EK1, EK2, EK3 - electric heater
 KM1, KM2 - electromagnetic relay
 M1 - electric motor
 SK1 - safety thermostat
 XT1 - terminal block
 SA1 - mains switch
 SA2, SA3 - heating mode switches
 SK2 - adjustment thermostat

MW 400V 15kW



EK1, EK2, EK3 - electric heater
 KM1, KM2 - electromagnetic relay
 M1 - electric motor
 SK1 - safety thermostat
 XT1 - terminal block
 SA1 - mains switch
 SA2, SA3 - heating mode switches
 SK2 - adjustment thermostat