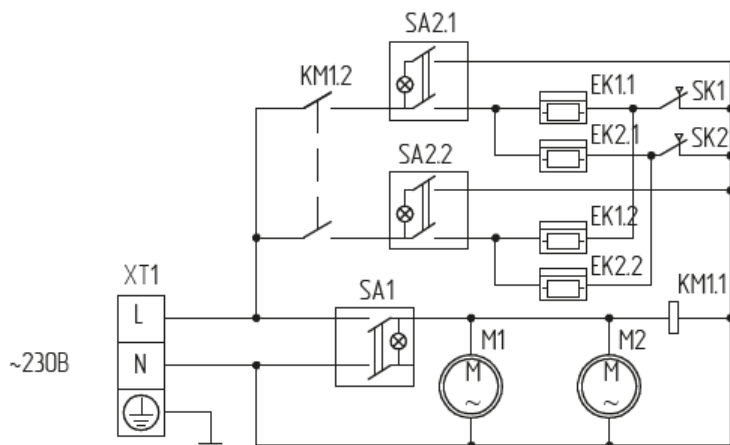
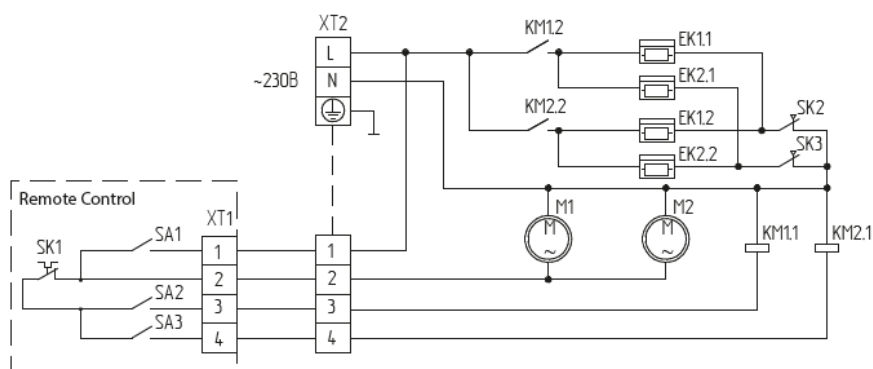


## Wimpel luftporter Kompakt-serien Koblingskjemaer



### Kompakt 2,5/5kW

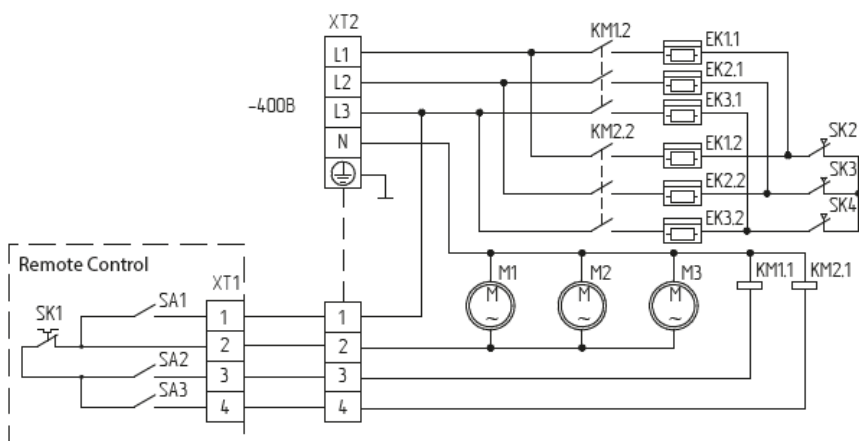
EK1, EK2 - electric heater  
SK1, SK2 - protective thermostat  
KM1 - electromagnetic relay  
XT1 - terminal strip  
M1, M2 - electric heater



### Kompakt 3/6kW

med fjernbetjeningspanel NLT

EK1, EK2 - electric heater  
KM1, KM2 - electromagnetic relay  
M1, M2 - electric motor  
SK1 - thermostat  
SK2, SK3 - protective thermostat without auto return  
XT1-XT3 - terminal strip  
SA1 - fan control switch  
SA2 - heating mode switch  
RK1 - thermal sensor



### Kompakt 4,5/9kW

med fjernbetjeningspanel NLT

EK1, EK2, EK3 - electric heater  
KM1, KM2 - electromagnetic relay  
M1, M2, M3 - electric motor  
SK1 - thermostat  
SK2-SK4 - protective thermostat without auto return  
XT1-XT3 - terminal strip  
SA1 - fan control switch  
SA2 - heating mode switch  
RK1 - thermal sensor